

SANCOM

SA-PAN027037-P49

2.7-3.7 GHz High Power GaN-HEMT

Features

Frequency Range: 2.7-3.7 GHz

 $P_{\text{sat}} \geq 49 \text{ dBm}$ Power Gain: $\geq 10 \text{ dB}$

Efficiency: = 45% (Type)

 $Z_{\text{in}}/ Z_{\text{out}} = 50 \Omega$ 

Description

Sancom Electric's GaN-HEMT SA-PAN027037-P49 offers high power, high efficiency, ease of matching and greater consistency for high power applications with 28V operation. The SA-PAN027037-P49 typically provides 49 dBm of saturated output power and 10 dB of large-signal gain and can be widely used in various RF/microwave systems.

ABSOLUTE MAXIMUM RATINGS

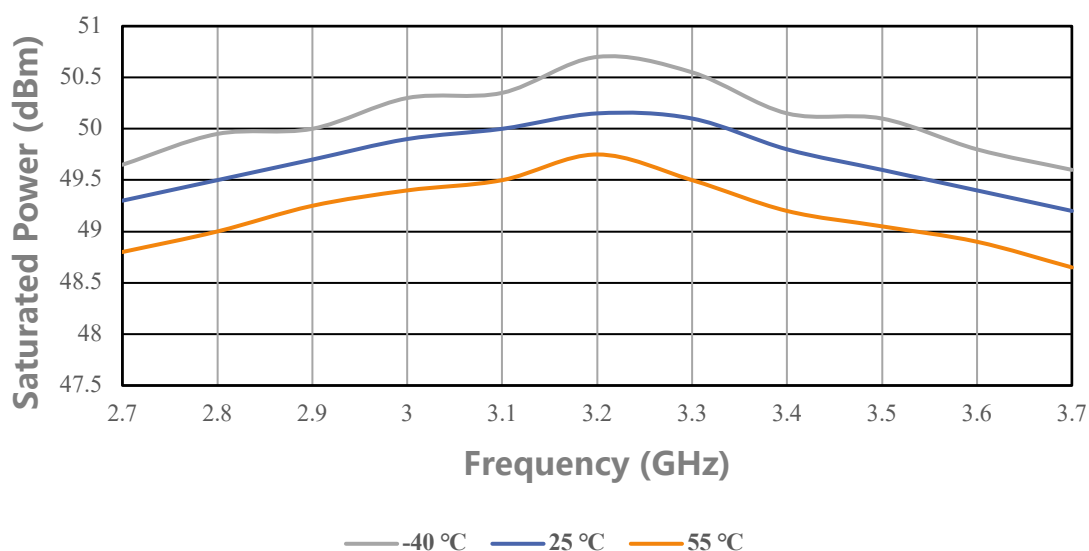
Parameter	Symbol	Condition	Rating	Unit
Drain-Source Voltage	V_{DS}	$TC=25^{\circ}C$	40	V
Gate-Source Voltage	V_{GS}	$TC=25^{\circ}C$	-5	V
Storage Temperature	T_{stg}	$TC=25^{\circ}C$	-65 to 150	$^{\circ}C$
Channel Temperature	T_{ch}	$TC=25^{\circ}C$	150	$^{\circ}C$

ELECTRICAL SPECIFICATIONS

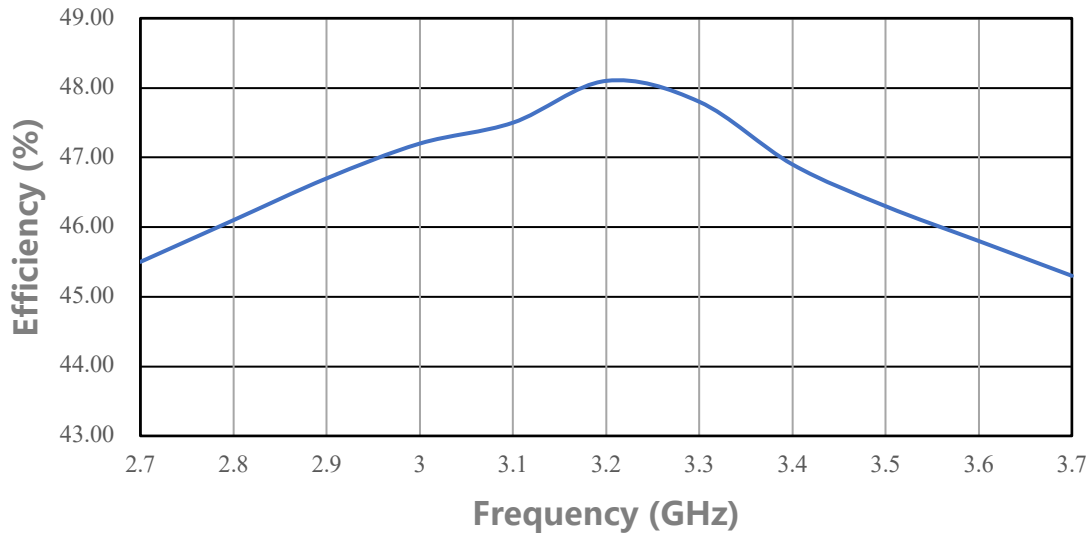
Parameter	Symbol	Condition	Min	Typ	Max	Unit
Drain-Source Current	I_{DS}	$V_{DS}: 28 V$ CW (Continuous Wave) $P_{in}: 39 dBm$ Freq: 2.7 ~ 3.7 GHz	-	6.3	-	A
Saturated Power	P_{sat}		49	-	-	dBm
Power Gain	G_p		10	-	-	dB
Efficiency	η		-	45	-	%
Flatness	ΔG		-0.8	-	0.8	dB

Performance Plots

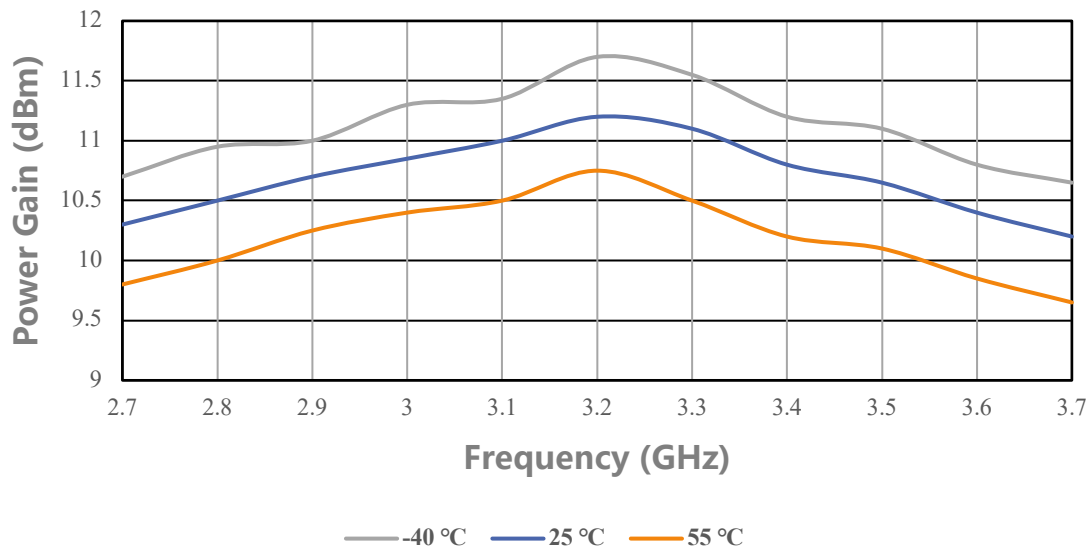
Saturated Power VS Frequency



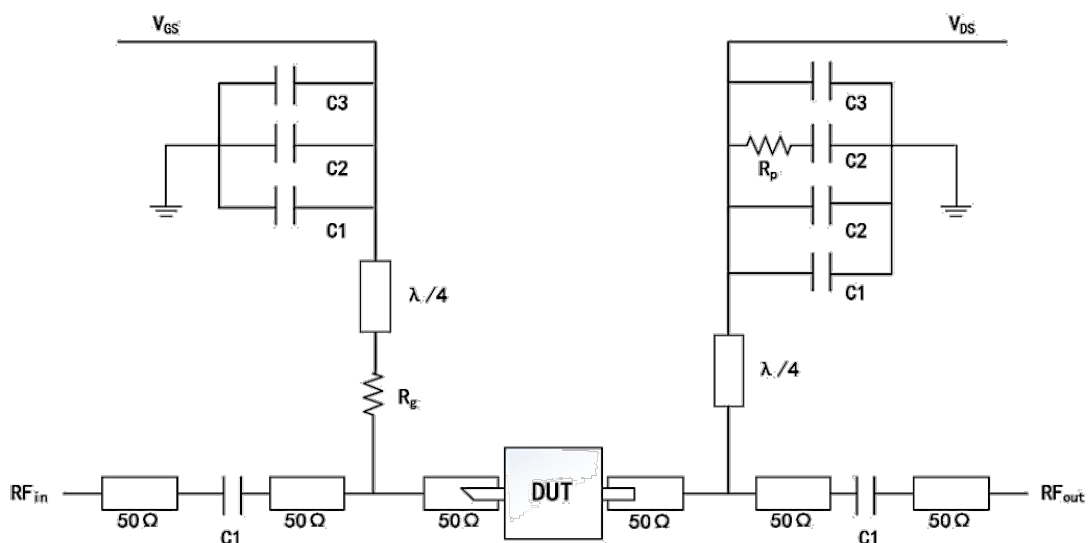
Efficiency VS Frequency



Power Gain VS Frequency



Simplified Block Diagram



DUT information

C1: 8 pF	R _p : 51 Ω
C2: 1000 pF	R _g : 15 Ω
C3: 100 μF	

ESD Protection

ESD	Class III	2000 V
-----	-----------	--------

Outline Drawing



Unit: mm

Attention

- Please keep away from moisture during transportation and storage
- Pay attention to ESD prevention during chip use and assembly. Wear a grounding ESD bracelet.
- When adding electricity, add gate electricity first and then add leakage electricity